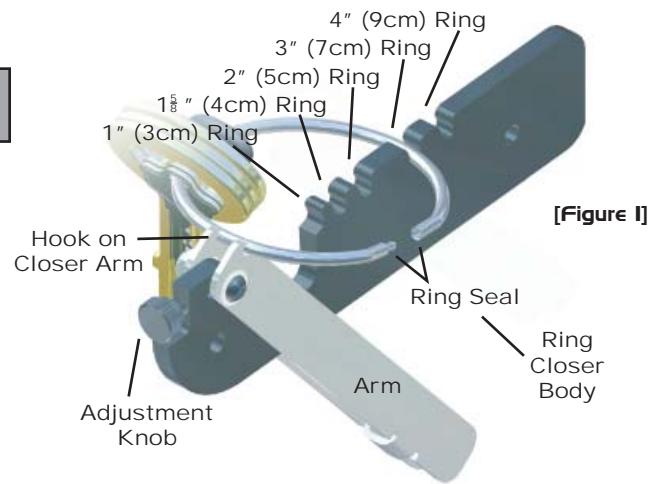


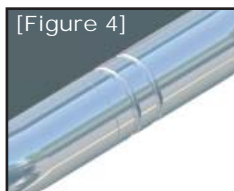
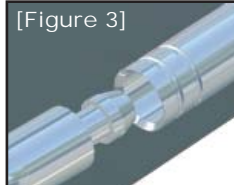
Solid Ring Closing Instructions

- 1 Place one side of ring in designated slot on ring closer body according to size. See **Figure 1** to know where to place size ring.
- 2 Place other side of ring into hooks at the base of the closer arm. Make sure ring is centered in middle of the tool. The ring seal is now parallel with the closer body (**Figure 1**).
- 3 Test the ring closure by slowly swinging the closer arm back to a 90° angle. If the resistance feels too strong or there is a gap remaining, open the closer arm and set the adjustment knob accordingly. Swinging closer arm all the way (120%) with the adjustment knob set too tight could distort the ring.
- 4 Swing the closer arm entirely back (120%). See **Figure 2**.
- 5 Ring is now closed (**Figure 3**). There should be no gaps (**Figure 4**). If, when closed, there is an apparent gap, undo step #3 and slightly turn adjustment knob to a setting that allows the ring to close entirely. Repeat steps #3 and #4 until there isn't a gap.
- 6 Do not distort by over-closing.

Maintain ring in tool and continue to follow crimping instructions.



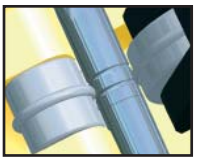
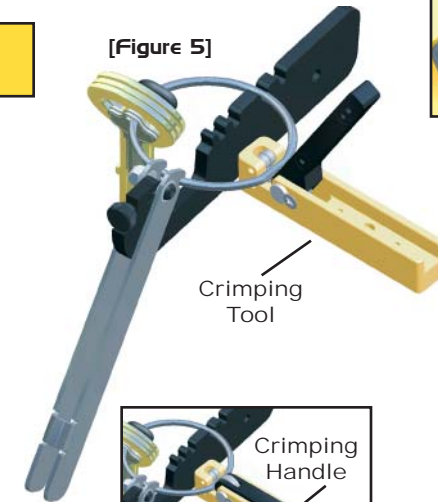
[Figure 2]



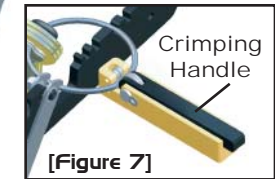
Solid Ring Crimping Instructions

- 1 Hold closer arm in one hand. With the other hand, lift the crimper handle and place the ring seal inside of the opening.
- 2 Align the crimper's two wheel ridges with the groove on the ring that is closest to the two ends that meet (**Figure 6**).
- 3 Push the crimper handle down into the body of the crimper (**Figure 7**) as you swing the crimper body back and forth at least 120% three or more times (**Figure 8**).
- 4 Lift handle to release ring from crimper.
- 5 Rotate closer arm to release ring from closing tool.

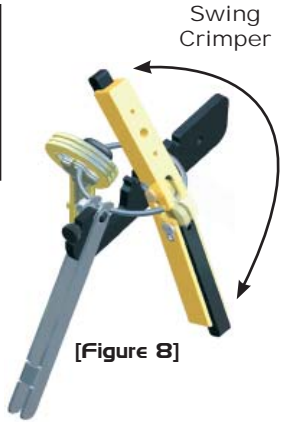
[Figure 5]



[Figure 6]



[Figure 7]



[Figure 8]

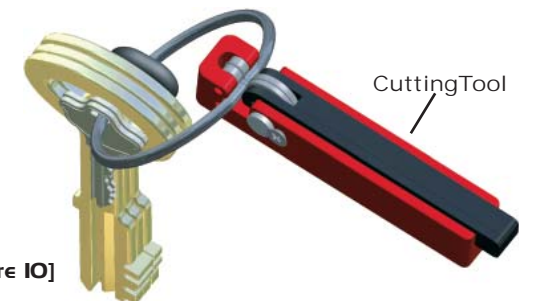
Solid Ring Cutting Instructions

- 1 Lift up cutting arm and align the cutter's two wheel ridges with the groove on the ring that is farthest from the ends that meet (**Figure 9**).
- 2 After step #1, push the cutter handle down into the body of the cutter (**Figure 10**).
- 3 Swing the cutter body back and forth at least 120% three or more times (**Figure 8**).

[Figure 9]



[Figure 10]



TAMPER-PROOF KEY RING® INSTRUCTIONS



www.zonkems.com

Specifications

Tamper-Proof Key Rings®

Material	Stainless Steel
Ring Thickness	4mm
Diameter & Part #	1" (3cm) 279
	1 1/4" (4cm) 278
	2" (5cm) 270
	3" (7cm) 277
	4" (9cm) 272

Flexible Tamper-Proof Key Rings®

Material	Stranded Steel
Ring Thickness	2.6mm cable, 4mm seal
Diameter & Part #	1" (3cm) 279F
	1 1/4" (4cm) 278F
	2" (5cm) 270F
	3" (7cm) 277F
	4" (9cm) 272F

Sealing Tools & Part



Closer 271V



Crimper 271D

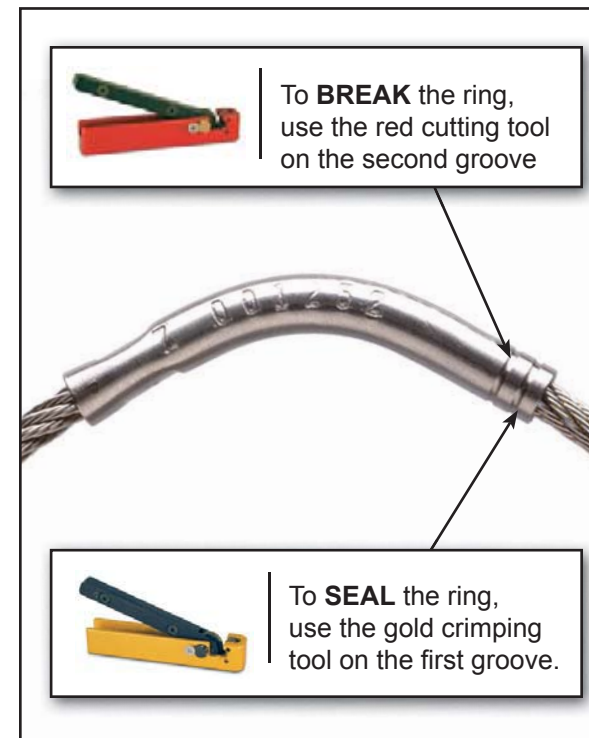


Cutter 271X

Color Tabs



Red • Orange • Yellow • Green • Blue



Flexible Ring Instructions

- 1 - Place keys and other assets on ring.
- 2 - Insert the free end of the cable all the way into the hollow tube end of the connector.
- 3 - Place the gold crimper on the ring with the crimping wheel ridges in the groove shown above.
- 4 - Place the connector in a vise with the bend trapped in the vise jaws to prevent the connector from spinning.
- 5 - Swing the closed crimping tool 3 times back and forth a minimum of 120 degrees.
- 6 - Crimp is finished, removed crimping tool.
- 7 - Record ring serial number for auditing.